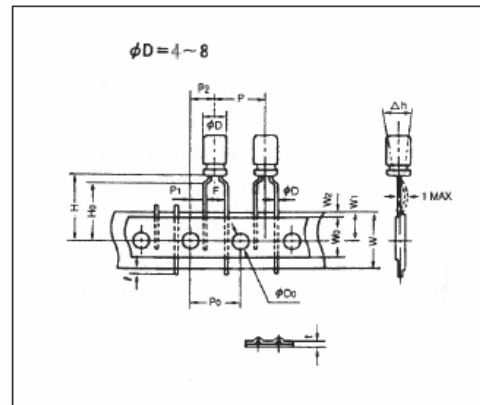


Samcon Radial Lead Aluminum Electrolytic Capacitors

Specifications (Code TB)

SYMBOL	ϕD (Case Diameter)						Tolerance	
	$\phi 4 \times 5$	$\phi 4 \times 7$	$\phi 5 \times 5$	$\phi 5 \times 7$	$\phi 6.3 \times 5$	$\phi 6.3 \times 7$		$\phi 5 \times 11$
ϕd	0.45			0.5			± 0.05	
P	12.7						± 1.0	
P0	12.7						± 0.2	
P1	3.85						± 0.5	
P2	6.35						± 1.0	
F	5.0						$+0.8 -0.2$	
W	18.0						± 0.5	
W0	5.0						Min	
W1	9.0						± 0.5	
W2	0~1.5							
H	17.5		18.5		20		± 0.75	
H0	16.0						± 0.5	
ℓ	1.0						max	
$\phi D0$	4.0						± 0.2	
Δh	0						± 1.0	
T	0.7						± 0.2	



Specifications

SYMBOL	ϕD (Case Diameter)						Tolerance
	TCB $\phi 4$	T2B $\phi 5$	T2B $\phi 6.3$	TSB $\phi 8$	TB $\phi 10$	TB $\phi 13$	
ϕd	0.45	0.45	0.5	0.6			± 0.05
P	12.7					25.4	± 1.0
P0	12.7						± 0.2
P1	5.1	5.1	4.85	3.85			± 0.5
P2	6.35						± 1.0
F	2.5	2.5	3.5	5.0			$+0.8 -0.2$
W	18.0						± 0.5
W0	5.0						Min
W1	9.0						± 0.5
W2	0~1.5						± 0.75
H	17.5	18.5	17.5	19.0			± 0.75
H0	16.0						± 0.5
ℓ	1.0						max
$\phi D0$	4.0						± 0.2
Δh	0						± 1.0
T	0.7						± 0.2

